

# Installation and Mounting Guide

## Roof Access Hatchway



Tel: +63.45.499.1037

www.eco.ph  
office@eco.ph

**Thank you for purchasing the Roof Access Hatchway from SG Eco Industries, Inc.**



### **ATTENTION:**

Before beginning the installation of your new Roof Access Hatchway, please read through the entire installation instructions and call us if you have any questions.

These instructions are not intended to be a complete lesson in the installation of a Roof Access Hatchway but as a methodology of this task.

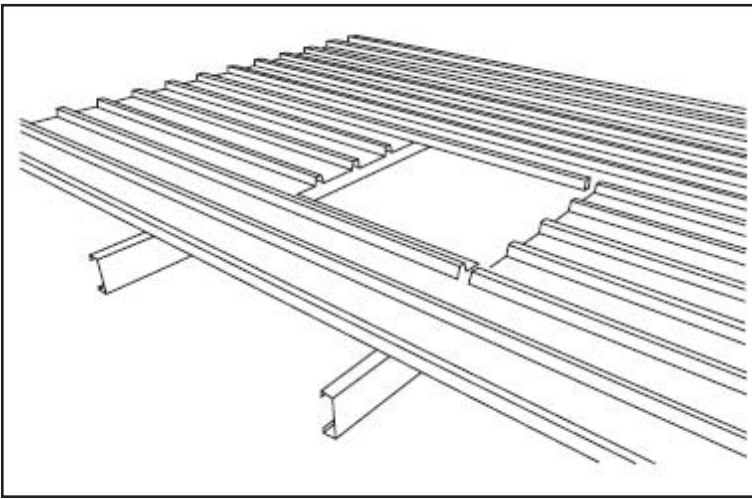
Please consult a professional installer if you are unsure of where to locate your Roof Access Hatchway or if you do not feel comfortable with the installation process.

### **CHOOSE THE LOCATION**

Ensure the distance between the location of the Roof Access Hatchway and the nearest edge of the roof is adequate and meets the appropriate building code.

Check the location is clear of any obstructions both above and below the roof, such as Air conditioning ducts, wiring, solar panels, plumbing, etc.

Ensure the location has easy access from the floor below. If located directly above a wall, install a Fixed Steel Ladder available from SG Eco Industries.



### STEP ONE

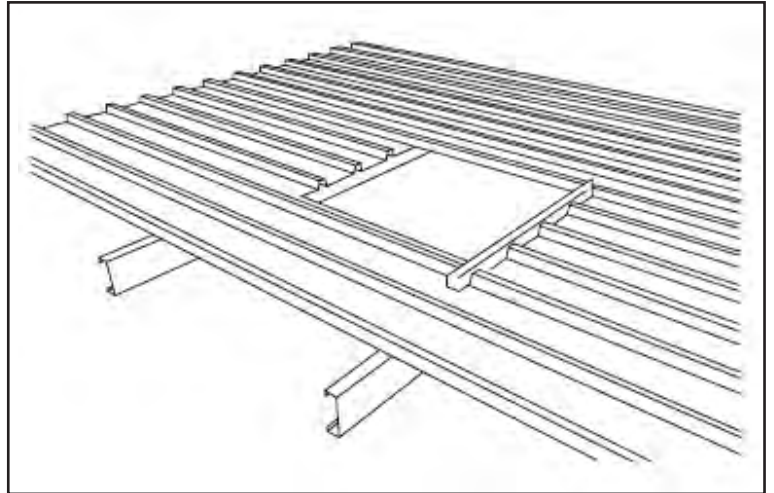
Determine location near a support structure - the front edge of the Roof Access Hatchway must be located above a purlin.

Mark and cut out the appropriate\* size hole in the roof sheeting.

*\* 50mm larger than opening size of Roof Access Hatchway.*

### STEP TWO

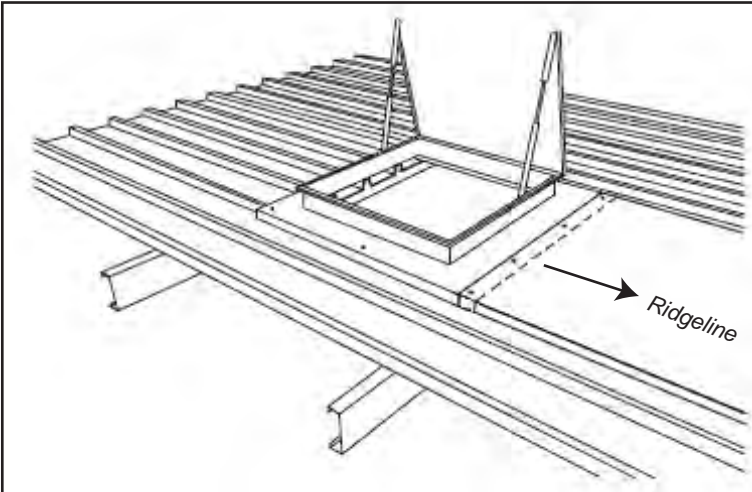
Install appropriate soaker flashings or gutter systems to roof if required, as per standard industry practice.



### STEP THREE

Position Roof Access Hatchway over the penetration. Hatchway flashing may require “notching” to suit metal roof sheets.

Recommended Installation Method includes “Backflashing” all the way to the Ridgeline.



### STEP FOUR

Ensure all debris has been removed before applying any sealants. Use appropriate fixings, as per standard industry practice to secure the Roof Access Hatchway and flashing sheets to the metal roof sheets.

